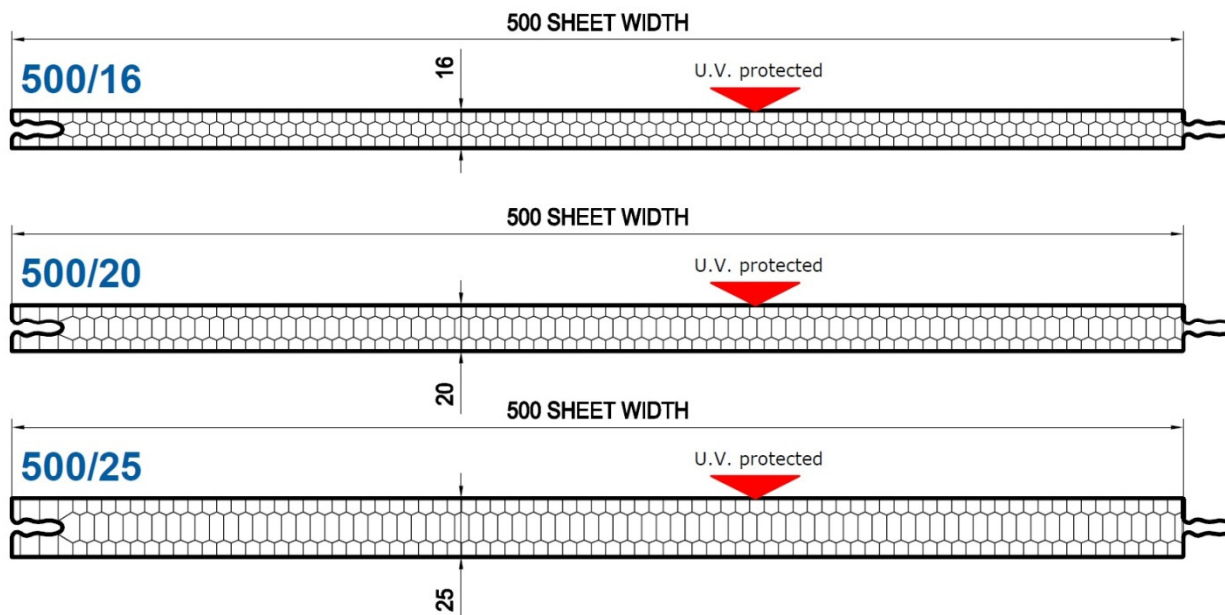


PRODUCT:

PANELPIÙ 500/16 (16mm thick) – 500/20 (20mm thick) – 500/25 (25mm thick)

CROSS SECTION:



SPECIFICATIONS:

INTERLOCKING MODULAR SHEET IN EXTRUDED MULTIWALLPOLYCARBONATE, ~500mm WIDE (USEFUL WIDTH) and 16 – 20 – 25mm THICK. THE SPECIAL SHAPE OF THE SHEET REQUIRES NO JOINING PROFILE. SHEETS ARE SUPPLIED TO THE EXACT LENGTH REQUESTED, WITH EDGES SEALED WITH AN ALUMINIUM FOIL TAPE; FIRE RATING: EUROCLASS B s1 d0.

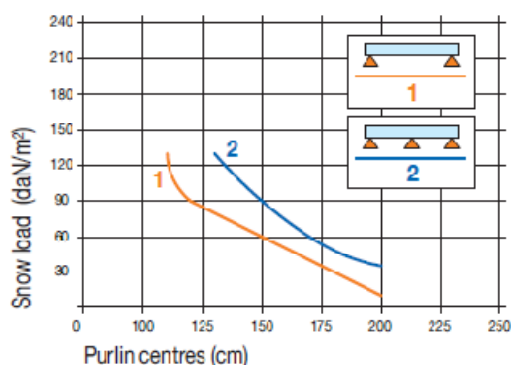
- **USE:** REALIZATION OF **VERTICAL GLAZING AND NORTHLIGHT.**
- **ACCESSORIES:** THE SYSTEM IS COMPLETED BY PERIMETRE PROFILES IN NATURAL ANODISED ALUMINIUM.

LOADING TABLE:

VERTICAL GLAZING

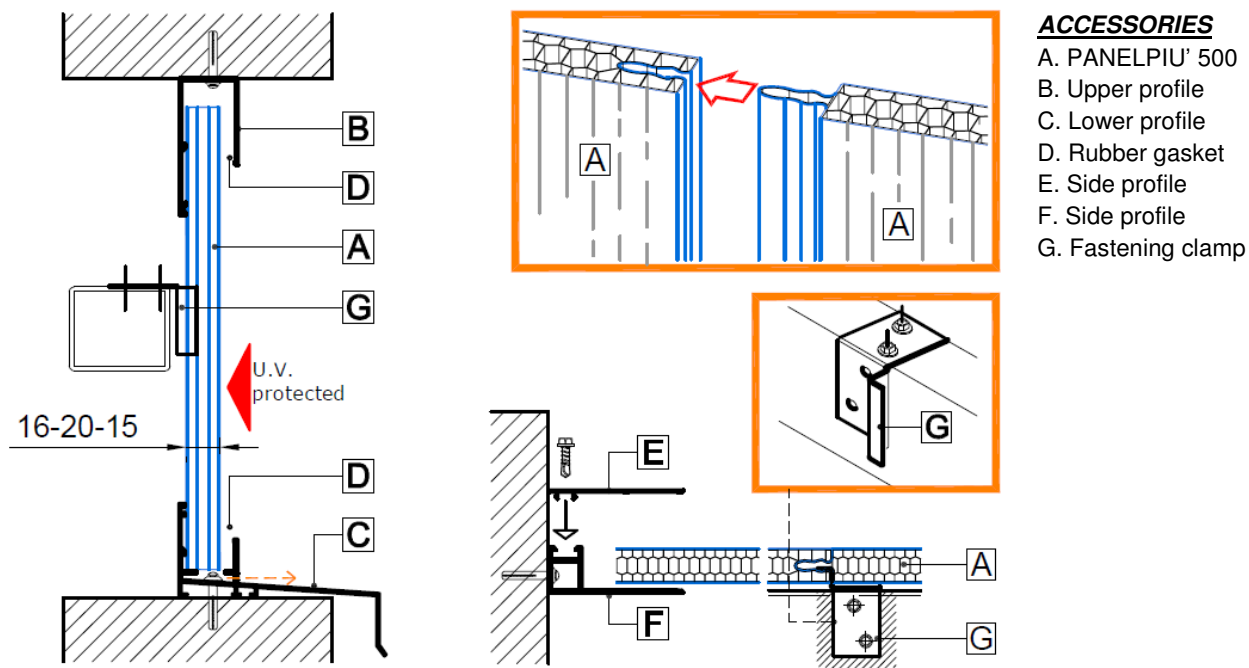
LOADING TABLE PANELPIÙ 500 / 20

Deflection allowed 1/50th



TECHNICAL DATA SHEET no.PA01 - Dec. 2016 (Rev.0) Product: Panelpiù 500/16-20-25

DETAILS OF APPLICATION:



ACCESSORIES

- A. PANELPIU' 500
- B. Upper profile
- C. Lower profile
- D. Rubber gasket
- E. Side profile
- F. Side profile
- G. Fastening clamp

TECHNICAL CHARACTERISTICS:

DATA		UNIT	500/16	500/20	500/25
Thickness		mm	16	20	25
Sheet width		mm	500 ± 5		
Sheet length			Length to size (max. recommended length is 7,0m)		
Colour			Satinized clear and Opal		
Sealing of sheet edges			Aluminium foil tape		
Inner construction			Honeycomb		
UV protection			On outer layer		
Fire rating			B s1 d0		
Temperature working range		°C	-40° / + 130°		
Linear thermal expansion		mm/mm°C	6,7 x 10 ⁻⁵		
Resistance against chemicals use & maintenance			See our literature for specifications		
Thermal insulation		W/m²K	U= 1,99	U= 1,80	U= 1,67
Light transmission	CLEAR	%	69±2	68±2	64±2
	OPAL	%	49±2	43±2	41±2
Solar factor	CLEAR	%	76±2	75±2	71±2
	OPAL	%	56±2	50±2	48±2
Shading coefficient	CLEAR	%	0,88±2	0,87±2	0,82±2
	OPAL	%	0,65±2	0,58±2	0,56±2
Warranty			10 years – See our Warranty for terms & conditions		

Responsibility clause: all technical information and recommendations are given in good faith and according our best knowledge. Nevertheless, not having any control over the end use of its materials, PolyPiù S.r.l. declines any responsibility for their application. The recommendations given do not relieve the Buyer to perform its own controls to determine the suitability of the materials to its own needs and to the regulations in force. Polypiù S.r.l. reserves the right to amend products and specifications without prior notice.